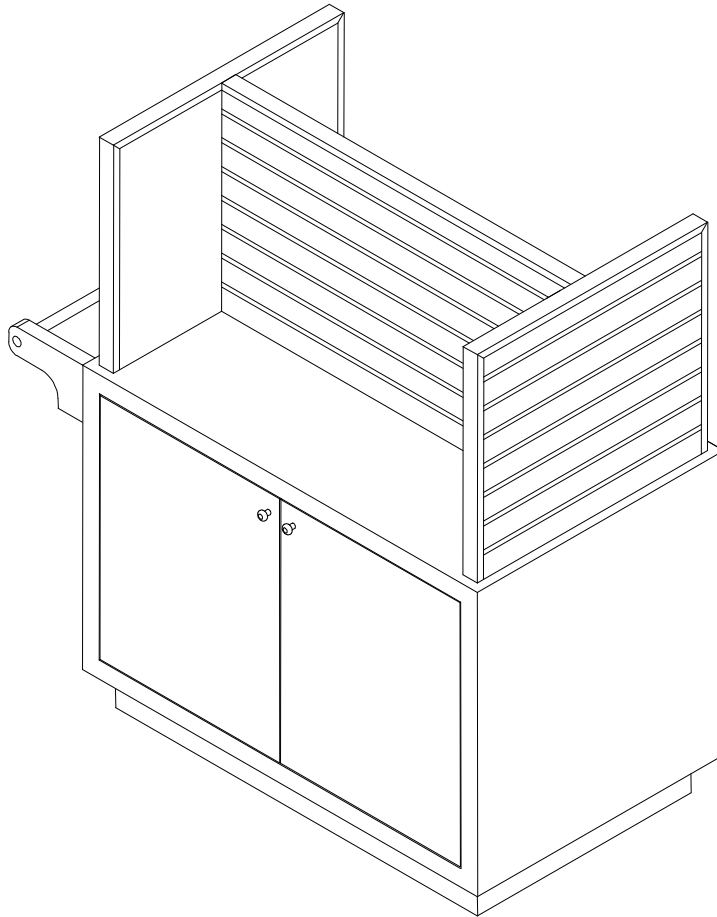


# MERCHANDISING CART



**MODEL #:** MCRT483060  
**OVERALL SIZE:** 48W.30D.60H  
**PRICE RANGE:** \$850-\$1,000

## STANDARD FEATURES:

- Melamine, Laminate, Paint, or Stain
- Color per customer choice
- Hardwood pull handle and trim
- Lower storage with (2) adjustable shelves
- 4" H plywood base w/ black laminate
- Heavy-duty swivel casters w/ brakes

## ADDITIONAL OPTIONS:

- Width, depth, height modifications
- Reinforced slatwall inserts
- Lower sliding doors
- Full perimeter bumper guard



**Williamson Millworks**

*Your complete custom wood products source.*